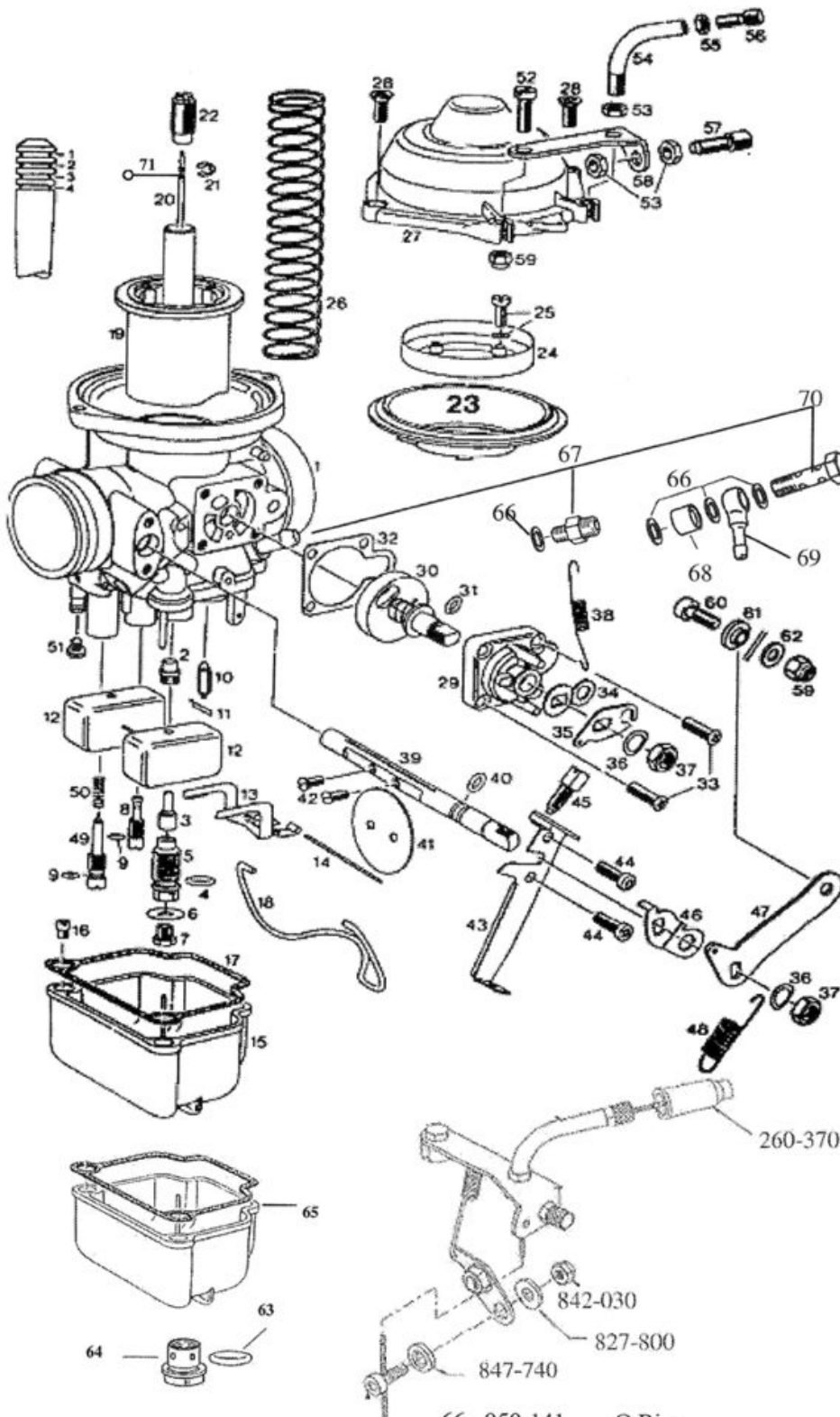


BING TYPE 64/32/391-422

4 - STROKE ENGINE

CONSTANT DEPRESSION CARBURETOR

ROTAX 912 & 914 • HKS 700 E • STRATUS



NO.	PART #	DESCRIPTION
1	995-735	Carb Assembly - Left Side
1	995-736	Carb Assembly - Right Side
2	961-200	Diffuser a/k/a Atomizer
3	261-607	Needle Jet
4	430-800	O Ring
5	963-130	Mixing Tube (a/k/a Jet Stock)
6	827-160	Shim
7	268-996	Main Jet 158
8	963-143	Idle Jet 35
9	831-710	O Ring
10	261-706	Float Needle Valve
11	261-710	Float Needle Clip
12	861-181	Float
13	861-191	Float Bracket
14	929-700	Pin
15	963-172	Float Chamber Left Side -no plug
15	963-174	Float Chamber Right Side-no plug
16	268-759	Starting Jet 95
17	830-725	Gasket
18	963-180	Spring Clip
19	961-230	Piston
20	961-215	Jet Needle
21	945-785	Circlip
22	961-290	Fixation Screw
23	861-115	Diaphragm
24	961-240	Retaining Ring
25	841-210	Screw 4x12
26	938-365	Spring
27	961-250	Chamber Top
28	841-340	Screw 5x12
29	961-280	Choke Housing
30	961-270	Choke Lever Assembly Left Side
30	961-275	Choke Lever Assembly Right Side
31	850-510	O Ring
32	950-030	Gasket
33	841-360	Screw 4x14
34	848-240	Choke Lever Inside
35	848-245	Choke Lever Outside
36	845-030	Spring Washer
37	942-290	Hex Nut 8x1
38	938-287	Return Spring
39	963-992	Throttle Shaft
40	950-020	O Ring
41	963-665	Throttle valve
42	941-200	Screw 3x6
43	961-260	Cable Support Left Side
43	961-265	Cable Support Right Side
44	241-212	Screw 4x10
45	963-162	Throttle Screw
46	848-230	Stop Lever Left Side
46	848-232	Stop Lever Right Side
47	848-237	Throttle Valve Lever Left Side
47	848-239	Throttle Valve Lever Right Side
48	938-285	Return Spring
49	961-220	Idle Mixture Screw
50	239-460	Compression Spring
51	941-740	Screw 3.5x5
52	240-761	Screw 5x16
53-56	861-640-101	Bent Tube Assembly
57	241-440	Screw 6x.75
58	851-070	Support Left Side
58	851-072	Support Right Side
59	842-030	Locknut 5mm
60	241-846	Allen Screw 5x12
61	847-740	Graduated Sleeve
62	827-800	Washer 5.5mm
63	631-770	O Ring
64	963-281	Bowl Plug
65	963-176	Float Bowl Left—plug style
65	963-178	Float Bowl Right—plug style
66	950-141	O Ring
67	941-852	Fuel Inlet
68	847-794	Spacer
69	956-312	Banjo Nipple
70	940-872	Banjo Bolt
71	950-430	O Ring for Needle Jet