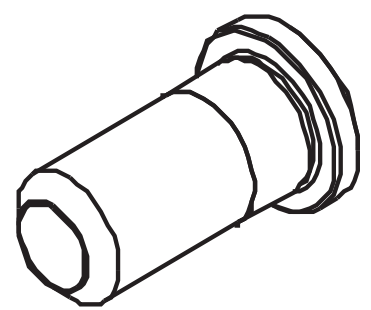
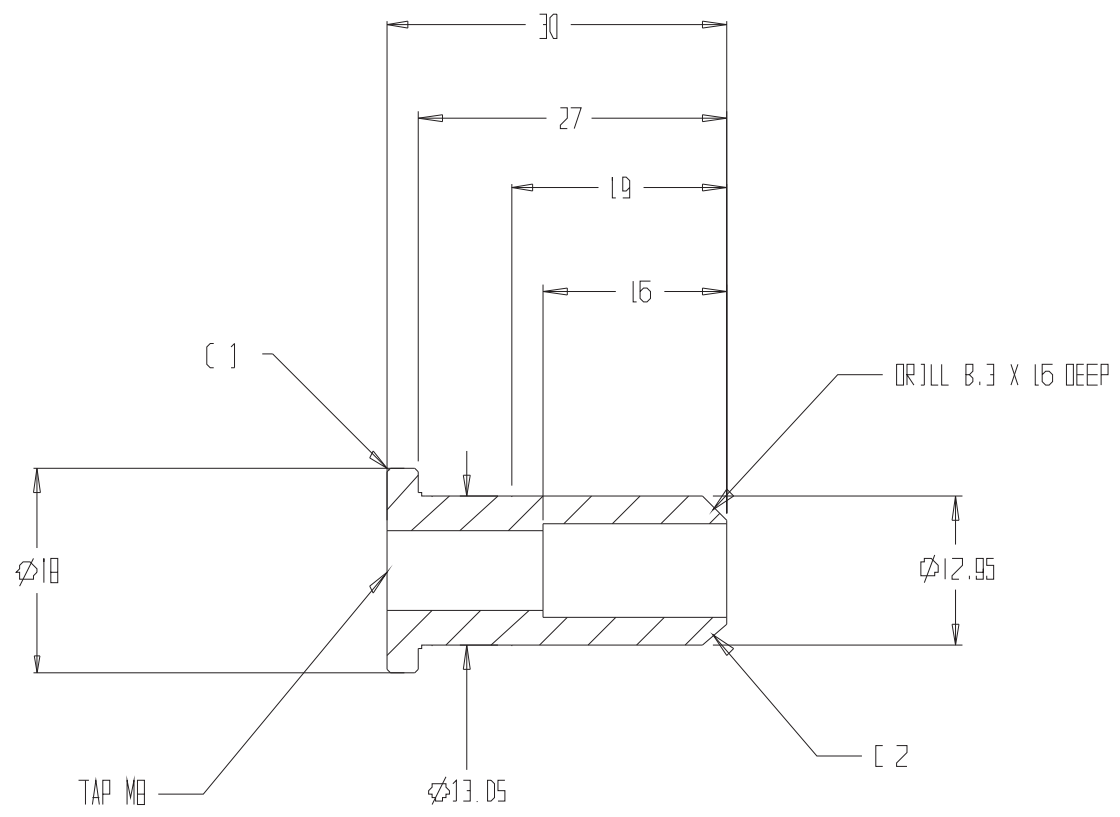



REVISIONS			
REV	DESCRIPTION	DATE	APPROVED
		21-09-2001	



MATL : 4140 1 OFF / ENG		PROP DOWEL		
NITRIDE HARDEN LAST OP		 ROTEC ENG <small>7Cylinder 110HP</small>		
Metric Dims	SIZE	FSEM NO.	DMG NO.	REV
	SCALE			SHEET