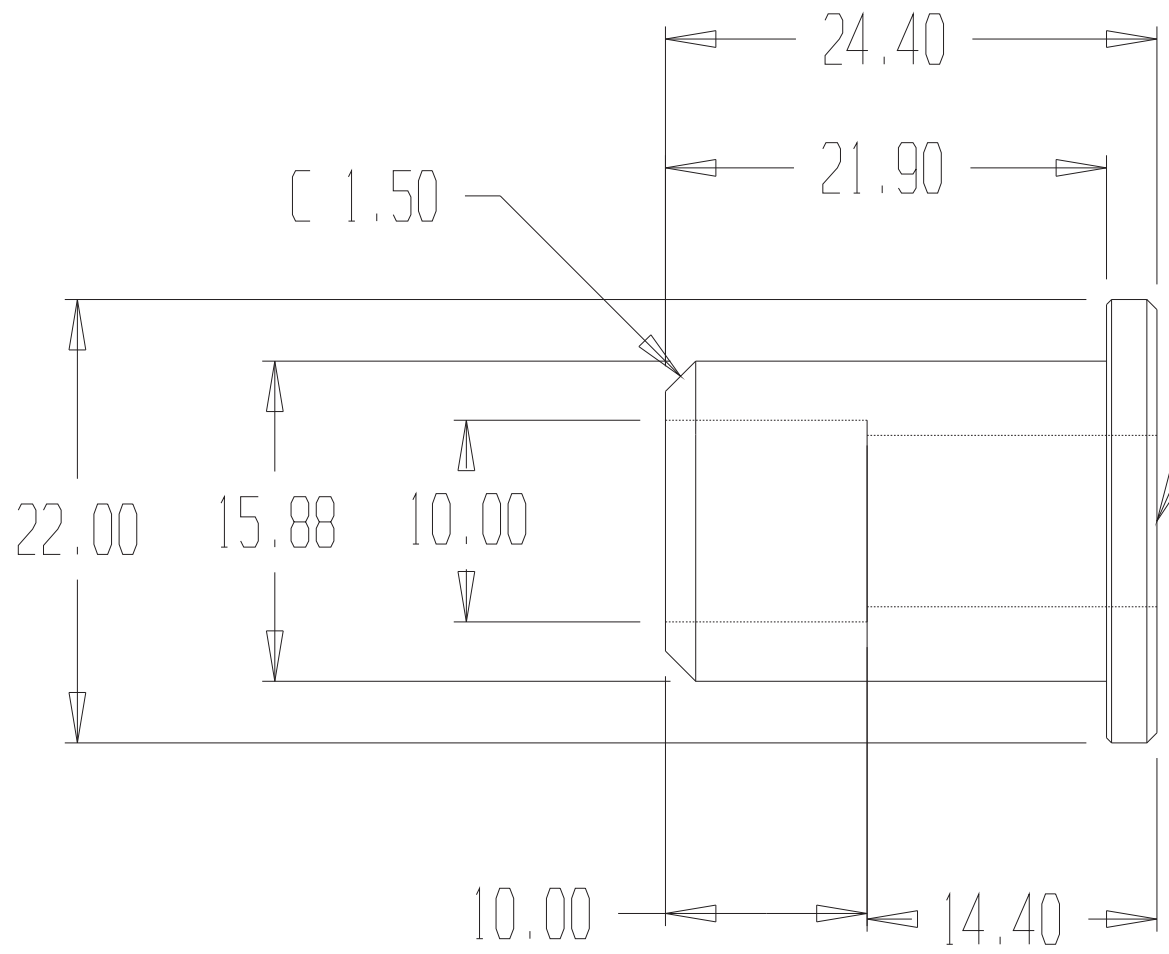
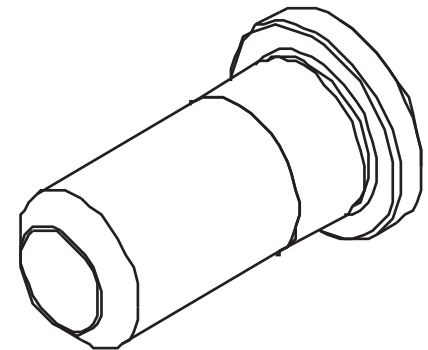


REVISIONS			
REV	DESCRIPTION	DATE	APPROVED



DRILL AND TAP 3/8-24 NF



	SAE #1 DRIVE DOWEL		
	SIZE	FSCM NO.	DWG NO.
Metric Dims	SCALE	SHEET	REV