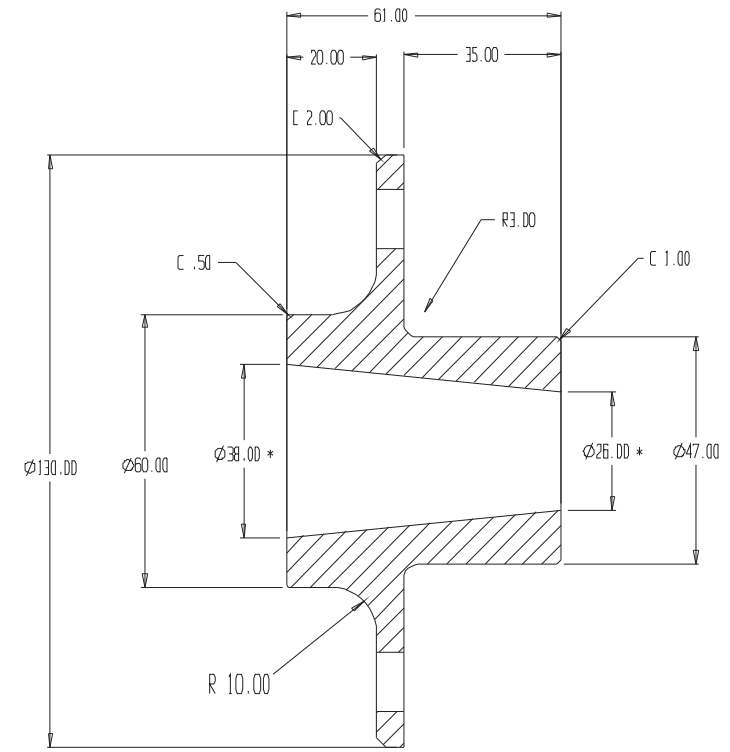
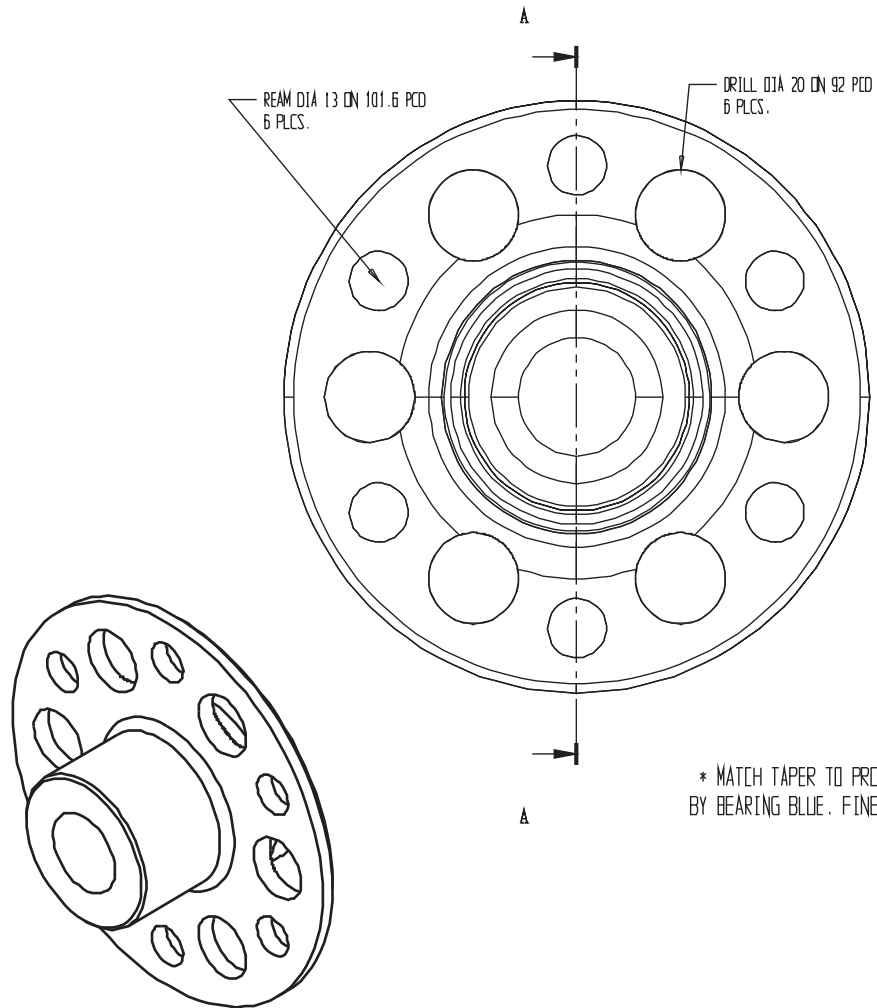



REVISIONS			
REV	DESCRIPTION	DATE	APPROVED
		19-09-2001	



SECTION A-A

\* MATCH TAPER TO PROP SHAFT GAUGE  
BY BEARING BLUE. FINE FINISH REQUIRED

MATL : 4140 1 OFF / ENG	ROTEC ENG		
	 PROP HUB		
	SIZE	FSEM NO.	DWG NO.
Metric Dims	SCALE		SHEET