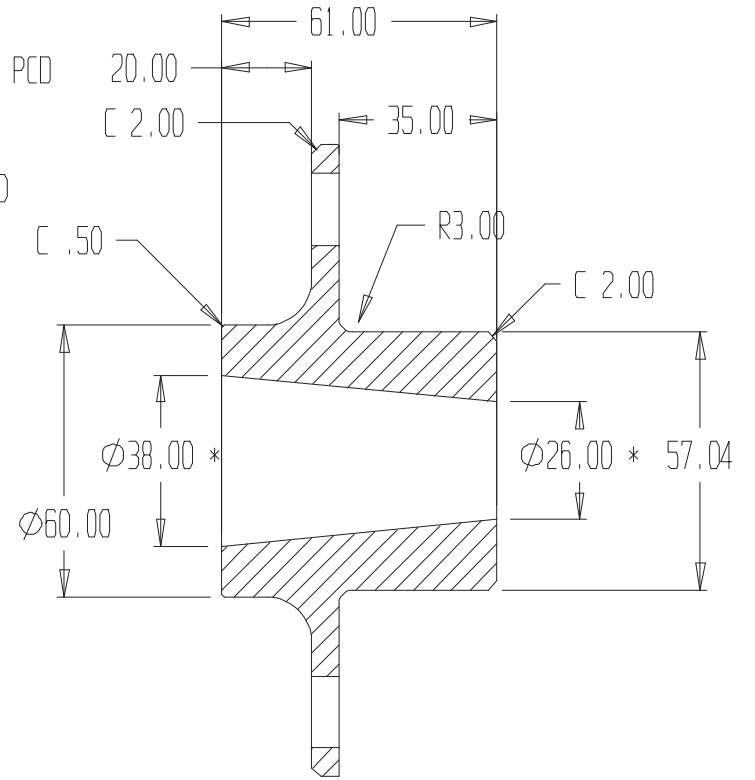
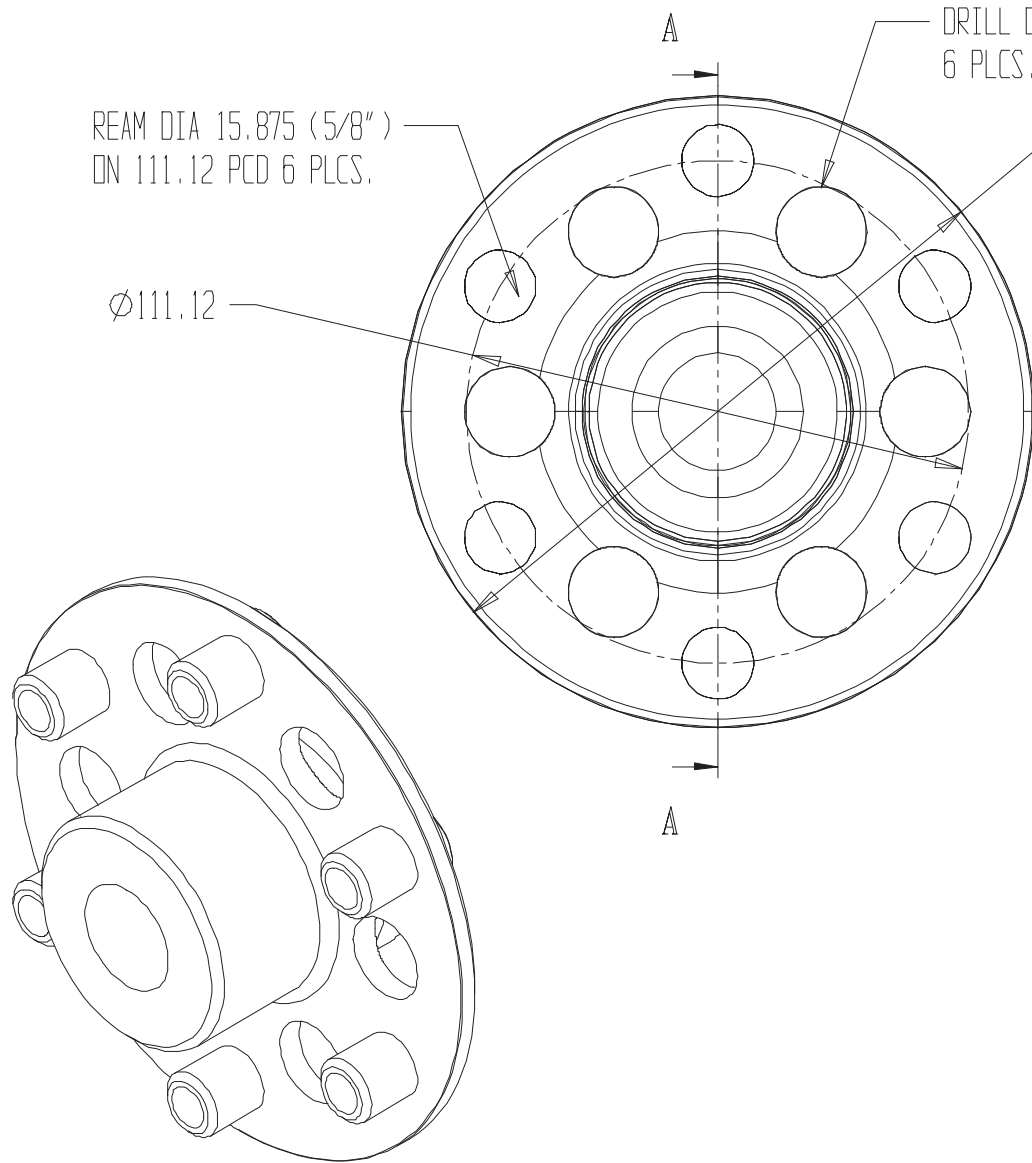


REVISIONS			
REV	DESCRIPTION	DATE	APPROVED
		02-01-2005	



SECTION A-A

	SAE # 1 PROP HUB		
	SIZE FSCM NO.	DWG NO.	REV
Metric Dims	SCALE	SHEET	